



series MX-5

CHEMICAL INJECTION PUMPS

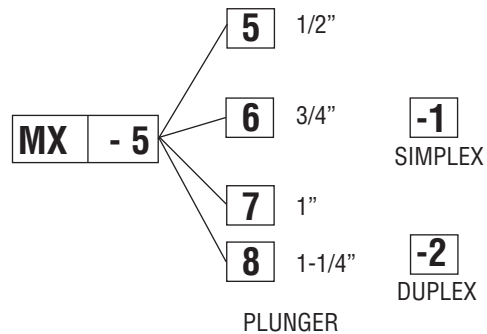


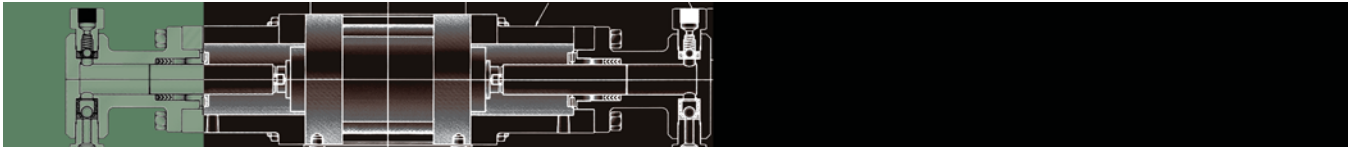
PRODUCT FEATURES OF THE MX-5

- 1 to 62 GPH
- Duplex Models Available
- No springs in the power cylinder-positive cycle operation
- Adjustable packing allows for planned maintenance
- Easily field serviceable
- Environmentally friendly - able to recycle unused supply gas
- 1 to 60 Strokes Per Minute
- Lightweight
- Wide range of service gas pressure
minimum – 30 psi
maximum – 145 psi

- Option of ceramic plungers - longer life on the plunger and packing
- Variety of packing allows for many chemical compatibilities

MODEL NOMENCLATURE

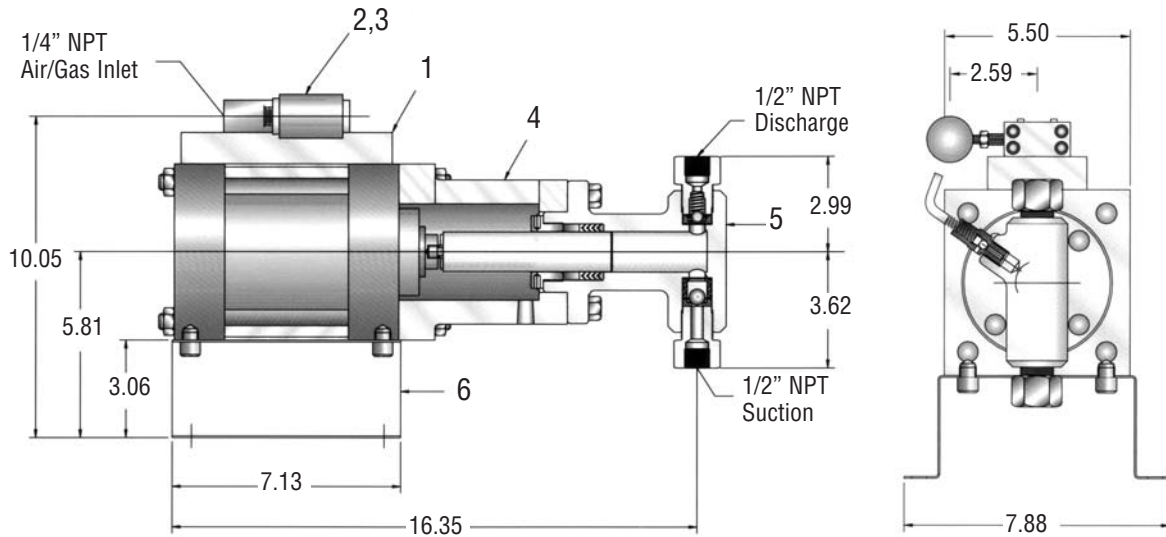




PACKING/SEAL MATERIAL SELECTION

Material	Temp. Range	Suggested Pressure Range	Comments
Buna	-40° to 200°F	0-5000 PSI	Soft material – fair wear resistance – used mainly for methanol service
Viton®	-10° to 200°F	0-5000 PSI	Broad chemical compatibility, but not used with ethyl or methyl alcohols
Teflon®	-30° to 180°F	0-3000 PSI	Tough material with very good wear resistance. Excellent chemical inertness
HP Buna	-40° to 200°F	to 10,000 PSI	Very good high pressure capability
HP Viton®	-10° to 200°F	to 10,000 PSI	Very good high pressure capability

SIMPLEX DIMENSIONS



PARTS LIST

Item	Part No.	No. Reqd.	Name	Material
1	TB-1641	1	Power Unit-SPLX	
2	TA-6320	1	Nipple	SST
3	TA-5851	1	Speed Control Valve	Aluminum
4	TC-2141	1	Yoke	Aluminum
5		1	Fluid End Body Assembly	CF8M
6	TB-1644	1	Mounting Bracket	16 GA Galv. Steel
7	TB-1643	1	Yoke Cover (not shown)	Plastic

CHEMICAL INJECTION PUMP

series **MX-5**

MATERIALS

Fluid End Assembly

Body.....	316 SS
Plunger.....	17-4 SS Ceramic
Packing Gland.....	303 SS
Packing Nut.....	303 SS
Check Valve Balls.....	316 SS
Priming Valve.....	303 SS

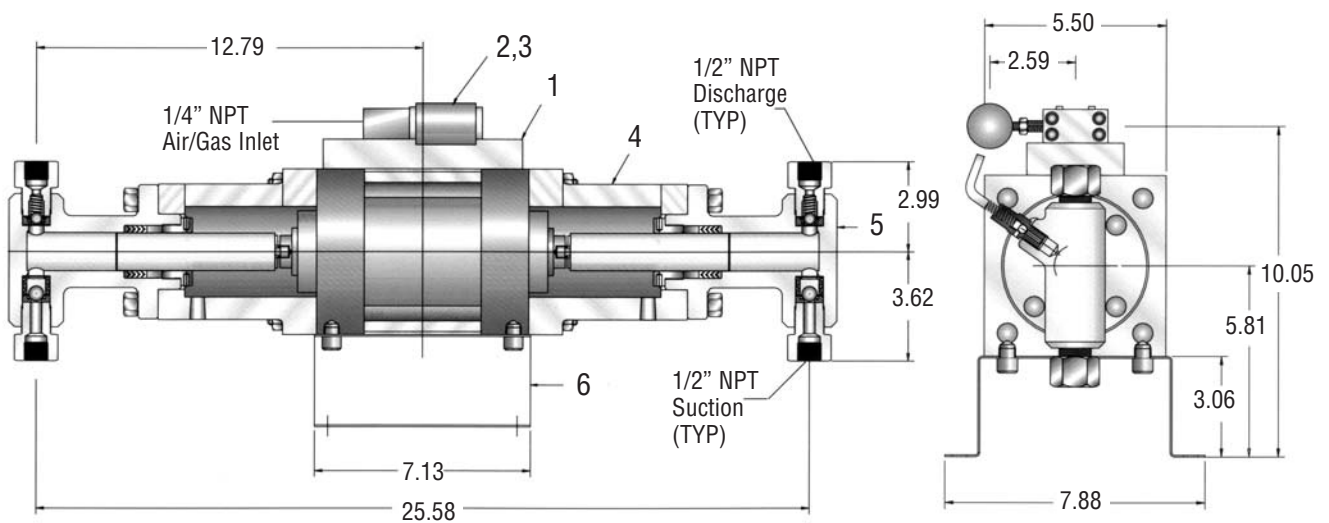
Power Unit Assembly

Nipple.....	SST
Speed Control Valve.....	Aluminum
Yoke.....	Aluminum
Mounting Bracket.....	16 GA Galv. Steel
Yoke Cover.....	Plastic

PARTS LIST

Item	Part No.	No. Reqd.	Name	Material
1	TB-1642	1	Power Unit-DPLX	
2	TA-6320	1	Nipple	SST
3	TA-5851	1	Speed Control Valve	Aluminum
4	TC-2141	1	Yoke	Aluminum
5		2	Fluid End Body Assembly	CF8M
6	TB-1644	1	Mounting Bracket	16 GA Galv. Steel
7	TB-1643	1	Yoke Cover (not shown)	Plastic

DUPLEX DIMENSIONS



PERFORMANCE

MODEL	SIMPLEX GPH/LPH		DUPLEX GPH/LPH		PRESSURE PSI/BARG	VOLUME PER STROKE CC	MAX. AIR CONSUMPTION 100 PSIG 6.9 BAR	
	MAX	MIN	MAX	MIN			MAXIMUM	SCF/DAY
MX55 1/2" Plunger @ 50 PSI/3.45 BAR @100 PSI/6.9 BAR @145 PSI/10 BAR	5.2/19.7 5.4/20.5 5.4/20.5	1.04/3.9 .4/1.5 .9/3.4	10.4/39.4 10.4/39.4 10.4/39.4	1.9/7.2 1.9/7.2 1.9/7.2	4500/310 8500/586 10000/690	2.99 5.98 8.67	6114	173.1
MX56 3/4" Plunger @ 50 PSI/3.45 BAR @100 PSI/6.9 BAR @145 PSI/10 BAR	12.9/49 12.9/49 12.9/49	2.1/7.9 2.1/7.9 2.1/7.9	23/87 23/87 23/87	3.75/14.2 3.75/14.2 3.75/14.2	2000/138 4000/276 6000/414	6.73 13.46 19.52	6836	193.6
MX57 1" Plunger @ 50 PSI/3.45 BAR @100 PSI/6.9 BAR @145 PSI/10 BAR	23/87 23/87 23/87	9.4/35.6 7.3/27.7 9.4/15.9	42/159 42/159 42/159	14.6/55.3 12.5/47.4 15.8/59.9	1150/79 2250/155 3250/224	11.97 23.93 34.7	7451	211
MX58 1-1/4" Plunger @ 50 PSI/3.45 BAR @100 PSI/6.9 BAR @145 PSI/10 BAR	34/128 34/128 34/128	14.6/55.3 12.5/47.3 15.8/59.8	62.5/237 62.5/237 62.5/237	27/102.3 23/87 29/109.9	750/51 1400/96 2000/138	18.7 37.4 54.23	8850	250.6

Ordering Notes:

- Stroke Length all models – 2"
- Stroke Speed all models – 1 - 60 SPM
- Packing/Seal recommendations constitute no guarantee – for questionable applications contact Texsteam Engineering
- All MX-5 Pumps should be mounted in the horizontal position – pump mounts are included with each unit

® Teflon and Viton are registered Trademarks of Dupont



Dresser Industrial Products Group

16240 Port Northwest Drive
Houston, Texas 77041-2645

Phone: 832.590.2306 Fax: 713.849.2879
texsteam@dresser.com www.dresser.com

Dresser, Inc.